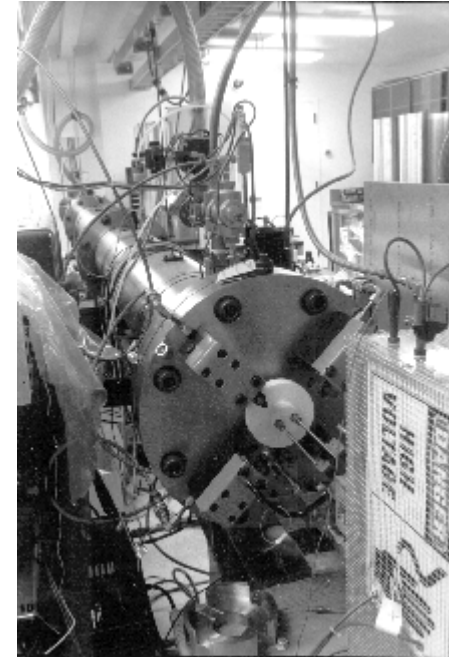
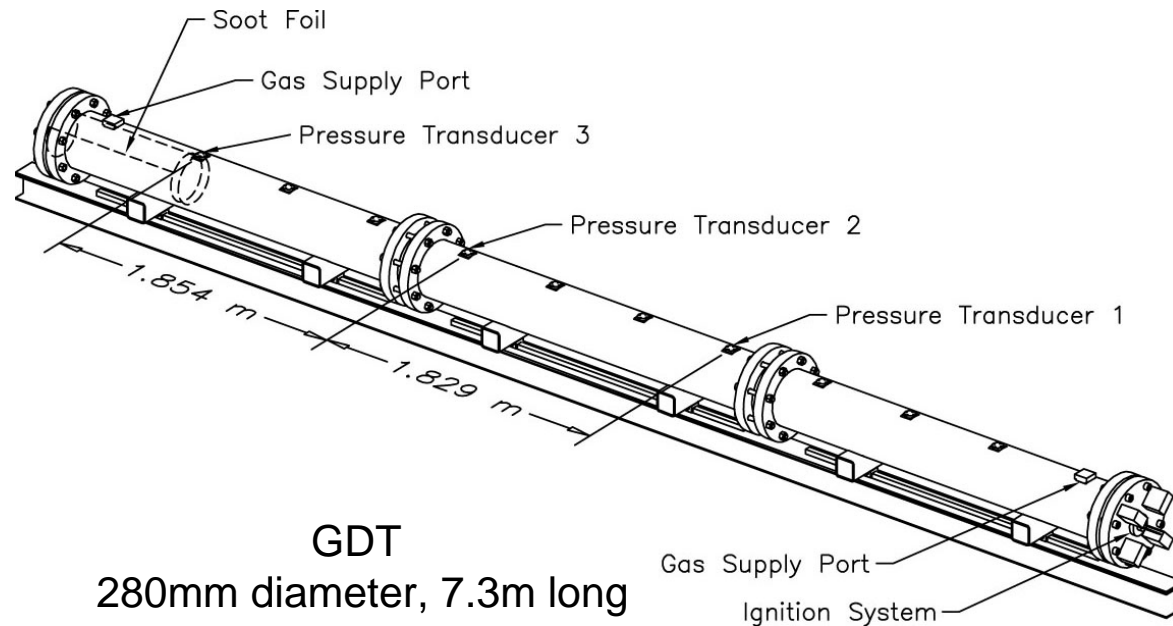


Detonation Physics Laboratory



- Measurement of detonation structure (cell width) in Jet A, JP-10 and in HC fuel blends.
- Correlation of detonation cell widths with detailed chemical reaction mechanisms
- Measurements and Models of detonation diffraction openings and tubes.
- Investigation of flexural waves created in shock tubes and detonation tubes.
- Measurement of detonation front structure using high-speed imaging and OH PLIF
- Spectroscopic investigation of detonations
- Behavior of detonations in narrow channels and with acoustic absorbing walls
- Photochemical initiation of detonation

